

Surgitron® I

1260-45
1260-85

HEAVY DUTY SERVICE ENTRANCE APPLICATIONS MODULAR DESIGN



FEATURES AND BENEFITS

- Listed by ETL to UL 1449 3rd Edition for a Type 1 SPD application.
- Matrix of individually fused Metal Oxide Varistors (MOVs) housed in replaceable modules.
- Cover lights indicate status of modules.

PRODUCT SPECIFICATIONS

Electrical

Nominal Discharge Current Rating (I-n)	20kA
Operating Frequency	50–60Hz
Connection Methods	Parallel to load (shunt) Lugs #14–#2 Directly connect or through 60A (min) breaker
Modes of Protection	L-N, L-G, N-G
Fault Rating (SCCR)	100kAIC
Response Time	Less than 1 nanosecond (one per phase)
Standard Monitoring	LED status indicator lights (one per phase)

Mechanical

Weight	15.4 lbs (7kg)
Enclosure Type	NEMA 12
Installation Location	Indoor/Outdoor
Mounting Method	Dual mounting flanges
Operating Environment	-40° to +185°F (-40° to +85°C)
Altitude	Up to 16,400 ft. (5000 m)
Product Design	Individually fused MOVs Overcurrent fusing

Regulatory

UL 1449 3rd Edition Type	Type 1
UL 1283	No
IEEE C62.41.1, .2, C62.45	Yes
Listed By	ETL

AVAILABLE CONFIGURATIONS

Model Number	kA Per Phase	Voltage	Configuration
1260-45	120kA	120V	1-Phase, 2-Wire + Ground
1260-85	120kA	120V	1-Phase, 2-Wire + Ground

Warranty

5-years

Available Options

Surge Counter Add suffix -S
Dry Relay Contacts come standard with 1260-85 model only

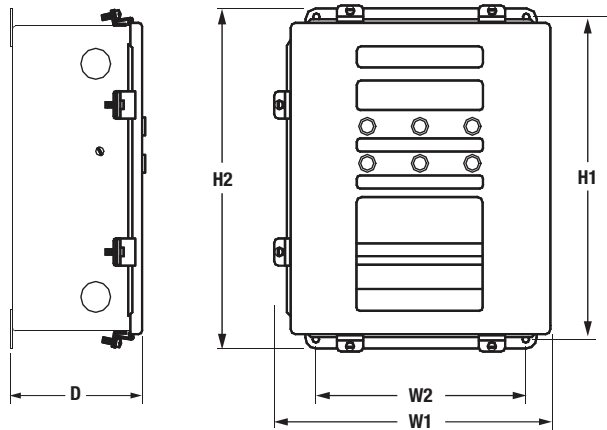
Stand Alone Option

Remote Monitor 1260-97

SURGE PROTECTIVE DEVICES

SURGITRON I PERFORMANCE DATA

Model Number	kA Per Phase	Voltage Configuration	Protection Modes	MCOV	UL 1449 3rd Edition 6kV 3000A VPR
1260-45	120kA	120V	L-N	150	700V
			L-G	150	700V
			N-G	150	500V
1260-85	120kA	120V	L-N	150	700V
			L-G	150	700V
			N-G	150	500V



DIMENSIONAL SPECIFICATIONS

Dim	Inches (mm)
H1	10.75 (273.05)
H2	11.5 (292.1)
W1	8.9 (226.06)
W2	6.0 (152.4)
D	4.2 (106.68)



Energía Verde RMS

Ahorra y contribuye con tu ambiente [®]

General Miguel Barragán #814
Aguascalientes, Ags.
01 (449) 145 2028
energiaverderms.com.mx